



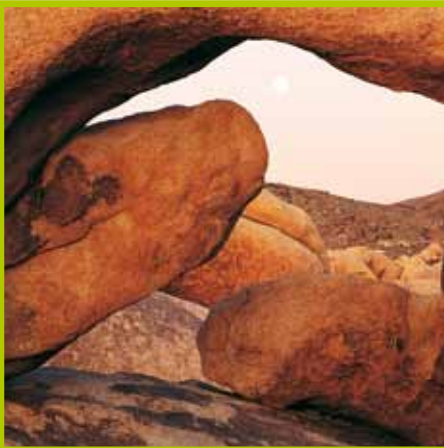
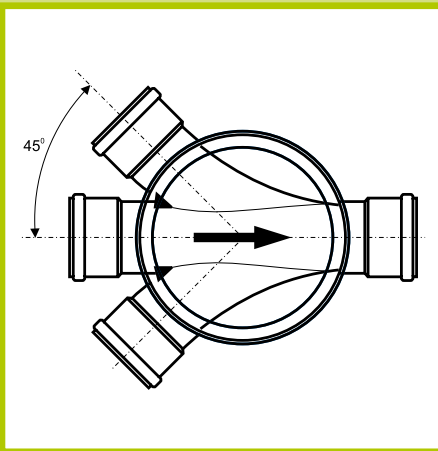
Ostendorf
Chamber System

Ostendorf Chamber System

The Ostendorf Chamber System is multifunctional enough to offer suitable solutions for numerous problems on the construction site. All components can be easily and quickly connected to each other as well as to other pipe systems. Perfect connections and integrated sealing systems guarantee a tight connection in each area of application. The telescopic cover comes with small dimensions and adapts optically to its environment. Furthermore it is variable in height up to 400 mm and easily adjustable. A calculation of the exact installation depth is not necessary. The covering is automatically made with the surrounding surface. The

telescopic cover remains flexible and adjusts the movements of the ground. This is a big advantage especially in the wintertime. Moreover, the chamber system cannot rust.

These arguments characterize the innovative Ostendorf Chamber System, which facilitate estate drainage. Small in dimension, big in performance. The Ostendorf Chamber System is the typical inspection chamber for building drainage and can be used for green areas, parking places or as drainage chamber.





Benefits and
Advantages
of the System
Material Properties

The chamber system of the future

The Ostendorf Chamber System is a modern, highly developed system of chamber components. It can be used for the construction of canalisation inspection chambers and inlets where the conditions are challenging. The chamber system was designed and produced according to the latest cognitions of the plastics technology and the requirements of engineering and underground construction.

- **RESTISTANT UNDER CHALLENGING CONDITIONS**
- **MEETS THE STANDARDS OF THE FUTURE**
- **VARIABLE**
- **EASY HANDLING**
- **LIGHT-WEIGHT CONSTRUCTION**

Material – PP/PVC

Due to its high temperature resistance, its perfect chemical properties and its excellent flexibility polypropylene (PP) has a superior position among the thermoplastic materials. Since polypropylene has excellent characteristics in processing it is possible to use this material for the production of chamber bases with a completely smooth inner surface.

PVC-U is a highly developed and proved material: The riser pipes as well as the telescopic covers with abrasion resistant inner surface are made of it.

- **HIGH TEMPERATURE RESISTANCE**
- **PERFECT CHEMICAL RESISTANCE**
- **EXCELLENT HYDRAULIC PROPERTIES**
- **HIGH STABILITY**
- **ABILITY TO WITHSTAND WHEEL LOAD**

Modern sealing element

A special sealing element made of resistant rubber guarantees a tight connection of the system up to an over pressure as well as a negative pressure of 0,5 bar.

- **COMPLETE TIGHTNESS OF THE SYSTEM**

Wide product range

The Ostendorf Chamber System is a complete system of components for the construction of chamber systems with different depths. It offers the possibility to add new sewage pipes later and to connect the chamber with different canalisation systems.

- **DIFFERENT CHAMBER DEPTHS POSSIBLE**
- **REASONABLY PRICED IN PURCHASE AND MAINTANANCE**

Environment protection

Due to the light weight less energy is required during production, handling and installation of the Ostendorf chamber system. Less CO₂ is produced. The installation is made quicker than for example with concrete systems. Furthermore the system fulfils the strict requirements of environment protection

- **100% RECYCLABLE**
- **ENHANCED PRODUCTIVITY**



Ostendorf Chamber System

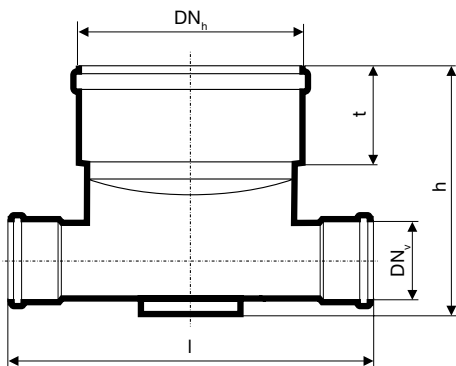
Chamber Base

Description

The chamber bases made of polypropylene have a homogenous wall with a high ring stiffness and an excellent temperature resistance up to 95° C.

Application

The chamber bases are designed as the basis for the construction of inspection chambers for house connections as well as courtyard inlets as a part of the rainwater canalisation.



DN _h	DN _v	t [mm]	h [mm]	l [mm]
400	160	325	561	685
400	200	325	609	685

Ostendorf Chamber System

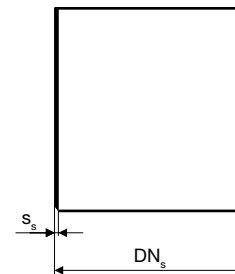
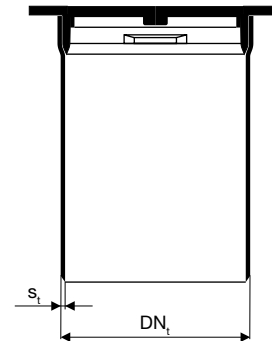
Riser pipes and telescopic covers

Description

The riser pipes and the telescopic covers, both made of PVC-U, have a structured wall with high ring stiffness, an excellent chemical resistance as well as a temperature resistance up to 60° C.

Application

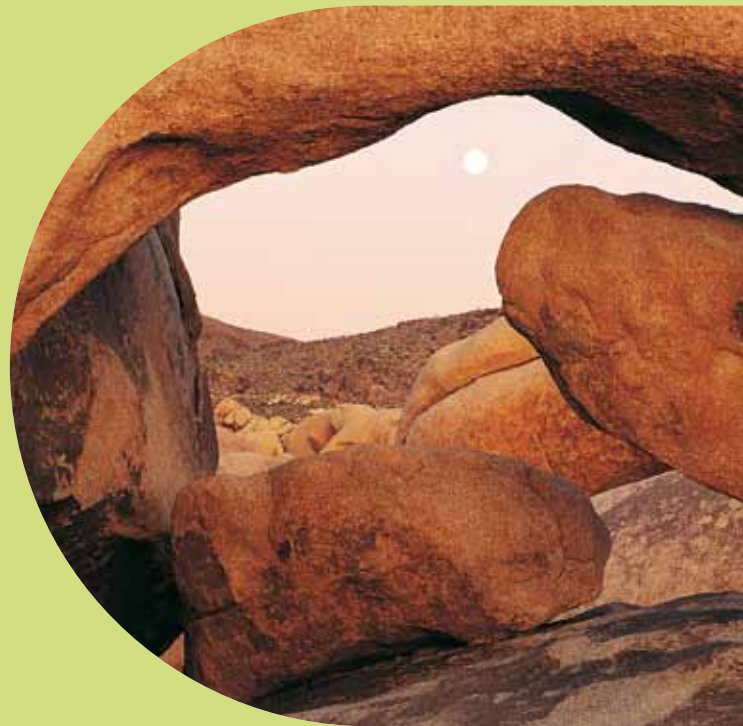
The riser pipes and telescopic covers are designed for the construction of inspection chambers for house connections as well as courtyard inlets as a part of the rainwater canalisation.



DN _s	DN _i	s _s [mm]	s _i [mm]
400	315	9,8	7,7

Product Range

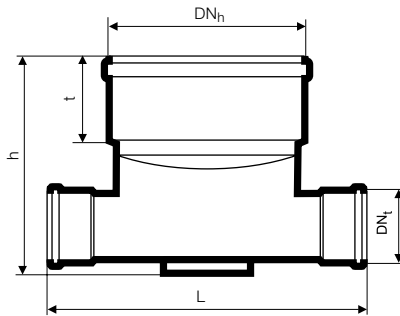
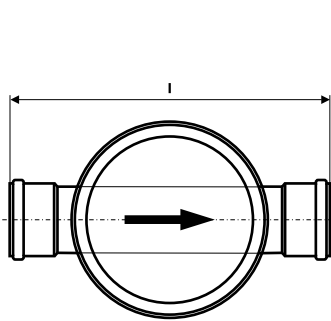
Chamber
System
Ostendorf



Chamber System Ostendorf

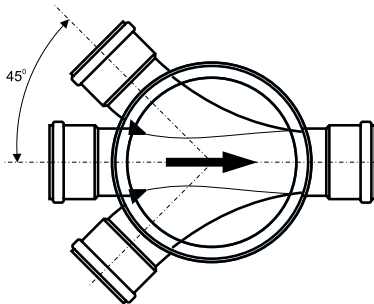
Chamber base DN 400, straight

No.	DNh	DNt	t [mm]	h [mm]	L [mm]	Unit
660000	400	110	205	405	565	12
660020	400	160	327	561	685	8
660040	400	200	327	609	686	8



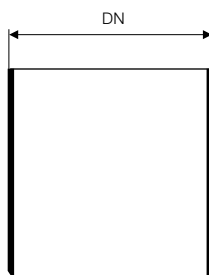
Chamber base DN 400, right – middle – left

No.	DNh	DNt	t [mm]	h [mm]	l [mm]	Unit
660010	400	110	205	405	565	12
660030	400	160	327	561	685	8
660050	400	200	327	609	686	8



Riser pipes DN 400

No.	DN	l [mm]	Unit
660100	400	500	6
660110	400	800	4
660120	400	1000	6
660130	400	1250	6
660140	400	1500	6
660150	400	2000	6



Telescopic cover DN/OD 315,
weight class B125 (12,5 t)
with sealing sleeve, without ventilation

B125

No.	DN	Weight [t]	h [mm]	Unit
660200	315	12,5	650	6



Telescopic cover DN/OD 315,
weight class B125 (12,5 t)
with sealing sleeve, with ventilation

B125

No.	DN	Weight [t]	h [mm]	Unit
660210	315	12,5	650	6



Telescopic cover DN/OD 315,
weight class D400 (40 t)
with sealing sleeve, without ventilation

D400

No.	DN	Weight [t]	h [mm]	Unit
660240	315	40	650	6



Telescopic cover, DN/OD 315,
weight class D400 (40 t)
with sealing sleeve, with ventilation

D400

No.	DN	Weight [t]	h [mm]	Unit
660245	315	40	650	6



Chamber System Ostendorf



Riser pipe cover DN/OD 400, walkable weight class A15 (1,5 t) plastic*

No.	DN	Weight [t]	D [mm]	Unit
660250	400	1,5	430	66

* inclusive childproof lock



NEW! Combination cover round DN/OD 400 concrete and cast iron B125 (12,5 t), without ventilation

No.	DN	Unit
660520	400	20



Concrete rim for telescopic cover

No.	DN	Unit
660260	315	20



Dirt catcher

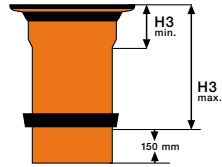
No.	DN	d [mm]	Unit
660270	315	300	120



Spare sealing sleeve

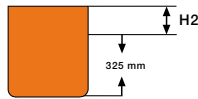
No.	DN ₁	DN ₂	Unit
660300	400	315	66

Overview high dimensions DN 400



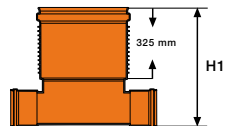
Telescopic cover

H 3 min. = 130 mm
H 3 max. = 450 mm



Riser pipe

H = length of the
riser pipe - 325 mm



Chamber base

H1 DN 160 = 560 mm
H1 DN 200 = 610 mm

Installation depth

H 1 + H2 + H3

In-/outlet DN	length of riser pipe [mm]	installation depth with telescopic cover min.	installation depth with telescopic cover max.	installation depth with riser pipe cover
DN 110 and DN 160	500	865	1185	735
	800	1115	1435	985
	1000	1365	1685	1235
	1250	1615	1935	1485
	1500	1865	2185	1735
	2000	2365	2685	2235
200	500	915	1235	785
	800	1215	1485	1035
	1000	1415	1735	1285
	1250	1665	1985	1535
	1500	1915	2235	1785
	2000	2415	2735	2285



Installation Instructions

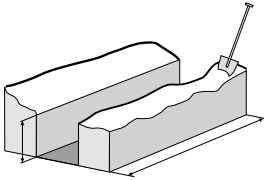


1. SCOPE OF APPLICATION

The following installation instruction only contains recommended regulations for the installation of the chamber system. Therefore we suggest taking the current regional standards and safety requirements into account.

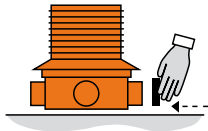
2. CONSTRUCTION – DITCH

Digging out the ditch. The installation depth and the length of the pipe ditch depend on the individual building activity.



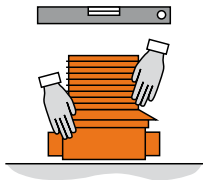
3. CLOSING OF THE INLETS

Close the inlets not required with KG plugs using lubricant.



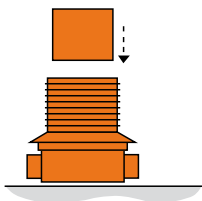
4. INSTALLATION OF THE CHAMBER BASE

Install the chamber base and straighten it horizontally with a water level.



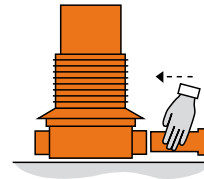
5. INSERTING THE RISER PIPE

Now the riser pipe is inserted and pushed up against the bottom of the chamber base (use also lubricant here).



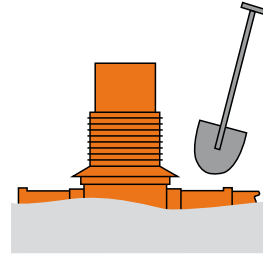
6. CONNECTING TO THE PIPE SYSTEM

In the next step the chamber base is connected to the pipe system: Clean the spigot end of the pipe and the socket of the chamber base from any dirt. Apply lubricant to the spigot end of the pipe and insert it into the socket of the chamber system until it resists.



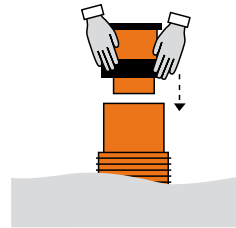
7. FILLING THE CONSTRUCTION TRENCH

Afterwards the construction trench around the chamber base has to be filled in layers and to be compressed.



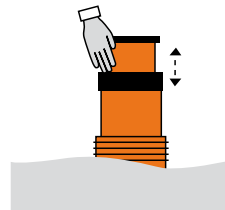
8. INSERTING THE TELESCOPIC COVER

Now insert the telescopic cover. Push the seal onto the riser pipe until it resists.



9. POSITIONING THE TELESCOPIC COVER

Position the telescopic cover at the approximate installation depth.



10. FILLING THE CONSTRUCTION TRENCH

Finally the construction trench around the chamber base has to be filled in layers and to be compressed.

